

ELPACTO[®] Knitted Wire Gaskets

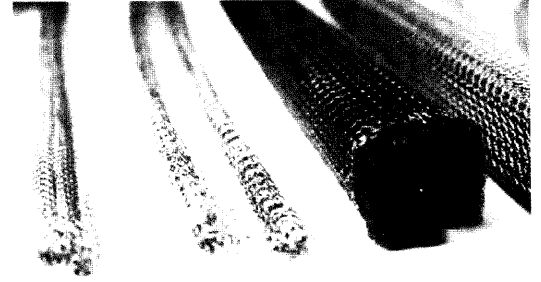
Glossary

Knitted wire gaskets are resilient knitted wire mesh strips used EMI gasket to provide EMI Shielding at the joints and seams of Electronic enclosures. It provides very good shielding attenuation also in the magnetic field and corrosion resistance.

Any metal can be produced in the form of wire strip gasket. But, standard material is monel wire.

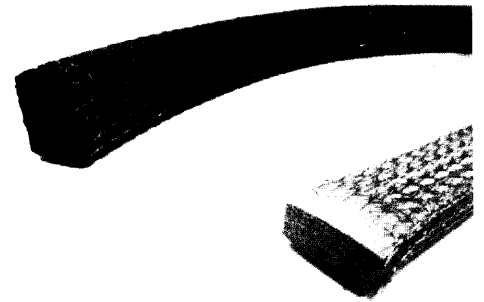
Monel provides very good shielding attenuation in combination with a high corrosion resistance.

It can also be supplied as flat band material, which in most cases is used to wrap cables and higher gasket elasticity is available with an elastomer core that is knitted over with metal wire.

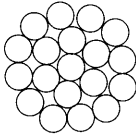
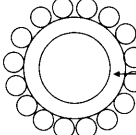
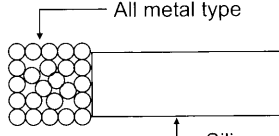


Merit

- Provides high levels of EMI shielding plus effective sealing against fluid and dust
- Available in a wide range of materials
- Optional silicone sponge or tube seal



Structure

ITEM	STRUCTURE	SHAPE
M Type	All Metal	 All metal type
SM Type	Metal + Silicone Tube	 Metal Silicone Tube
WM Type	Metal + Silicone	 All metal type Silicone

